

# System-321

## The complete glazing solution for 30 minute fire doors



**1** Slide glazed part of System-321 under door leaf and into aperture

**2** Push fixings into pre-cut slots (no tools required)

**3** Simply press final part of System-321 onto fixings – and you're finished!

## Fire door glazing made easy

New from Lorient, System-321 is a unique and innovative system for glazing 30 minute fire doors quickly, efficiently and safely. The system consists of two parts, the first supplied with the glass already in place. This is placed under the aperture in the door leaf, the fixings are then pushed into the pre-cut slots (no tools required) and finally the remaining part of the system is clipped onto the other side. In fact, it's so simple and easy-to-use,

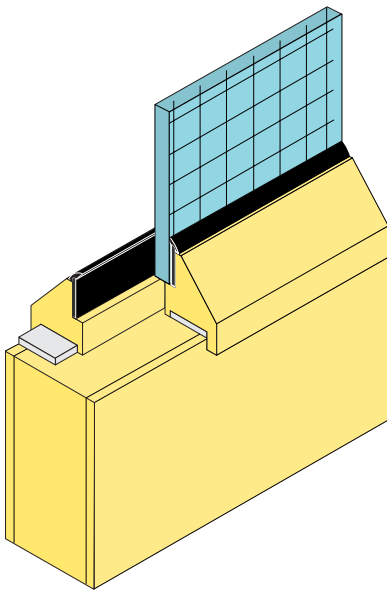
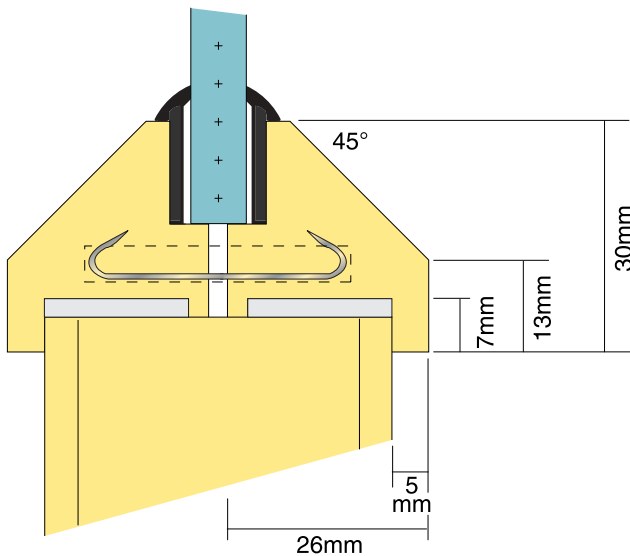
it reduces the average time taken to glaze a fire door to under two minutes. As you'd expect from Lorient, the entire system has also been thoroughly tested to meet all relevant regulations, including CERTIFIRE – and features **Pilkington fire-resistant glass** for added peace of mind. System-321 is available in light and dark hardwood finishes, a range of standard sizes and with a choice of clear or wired glass.

System-**3****2****1**  
Three steps, two minutes, one system



CF325

# System-321



## About Lorient

Lorient is one of the leading manufacturers of fire and smoke containment products, with expertise respected around the world. Best known for its fire and smoke seals for door assemblies, the company has developed System-321 in partnership with Pilkington, the world's leading glass maker.

## Application

Suitable for use on FD20, FD30 and FD30S doors.

## Performance

Successfully tested to both BS 476: Pt. 22 1987 and BS EN 1634-1: 2000.  
CERTIFIRE approved CF325.

## Materials and Finish

Choice of clear Pilkington **Pyrodux**™ Plus or wired Pilkington **Pyroshield**™ fire-resistant glass.  
Choice of light or dark hardwood beads.

## Sizes

Available in standard sizes of 500mm x 200mm, 750mm x 200mm and 600mm x 600mm.

## Fitting

Simple, clip-together installation – no tools required.  
Cuts the average glazing time from in excess of 10 minutes to under 2 minutes.  
Faster fitting improves efficiency.

## Ordering, supply and delivery

Packed complete in a flat box for easy storage and handling.  
Single item for easier stock control.  
Supplied from stock on a next day delivery.

Lorient always aims to provide the highest quality products, supported by a technical helpline and an extensive library of test evidence. The company holds BS EN ISO 9000:2000 accreditation, an assurance to customers of its commitment to consistent quality throughout its operations.



# System-321

Three steps, two minutes, one system



Tel: +44 (0) 1626 834252 • Fax: +44 (0) 1626 833166 • [www.lorientgroup.com](http://www.lorientgroup.com)

Lorient Polyproducts Ltd., Fairfax Road, Heathfield Ind. Est., Newton Abbot, Devon TQ12 6UD, UK. e-mail: [admin@lorientuk.com](mailto:admin@lorientuk.com)